

**reflex**

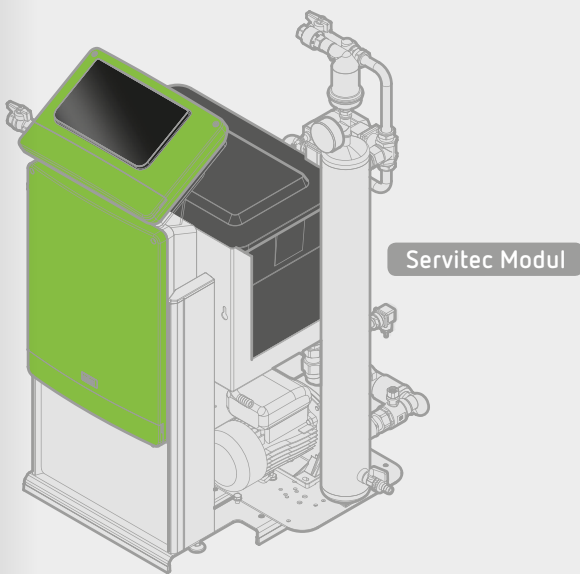
Thinking solutions.

## Reflex Fillcontrol solutions



Water Make-Up Systems and Water Treatment

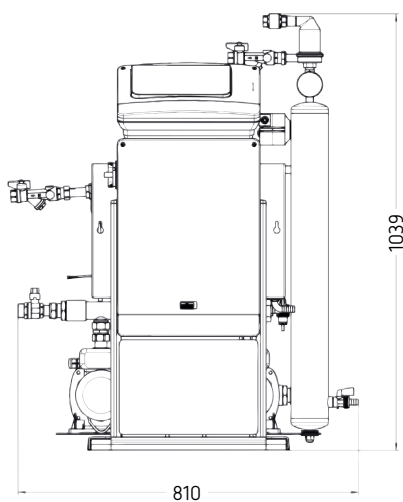
# Reflex Fillcontrol Auto 2PS



## Fillcontrol Auto 2PS

Combined water make up unit which includes Servitec module for automatic vacuum degassing. Commissioning by setting the  $p_0$  of the static pressure vessels.

- 18 l breaktank
- WRAS approved ball valve and type AA air gap
- 7 Volt free contacts which include:
  - + minimum pressure
  - + maximum pressure
  - + low water cut out
  - + pump failure
  - + pressure level detection
  - + time out
  - + common fault contact
- System pressure sensor
- Reflex Control N
- Two line LCD Display
- Common fault volt free contact
- System degassing



Fillcontrol Auto 2PS	25	50
Article No	8813300	8813500
Material Group	70	70
Dimensions [mm]	1039 x 802 x 625	1039 x 802 x 625
Weight [kg]	46	48
Inlet / outlet connection	½" / 1"	½" / 1"
Connection Voltage [V/Hz]	230/50	230/50
FLC [A]	2.62 each pump	3.22 each pump
Rated power [kW]	0.5 each pump	0.5 each pump
Max. working pressure [bar]	2.5	4.5
Max. operating temperature [°C]	90	90